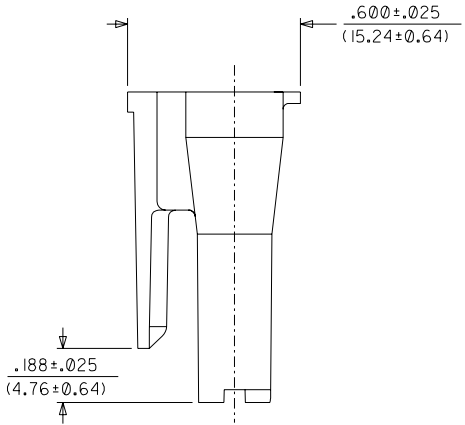
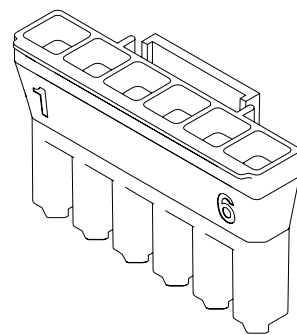
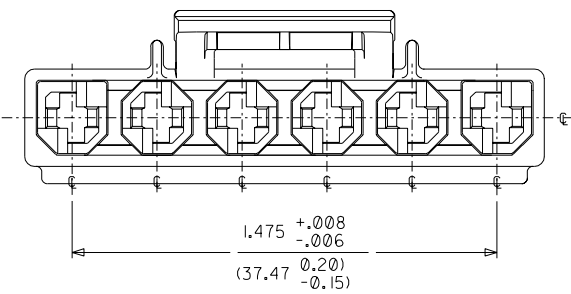


NOTES:

1. MATERIAL: NYLON,UL94V-0,COLOR BLACK.
2. THIS CONNECTOR HOUSING FOR USE WITH 43375-**** TERMINALS.
3. THIS CONNECTOR HOUSING WILL MATE TO A-43160-*****6, 43180-****6, AND 43680-****6 HOUSINGS.
4. PRODUCT SPECIFICATION: PSX-44441-9999.
5. PACKAGING: PK-44441-001.



CIRCUIT 1



C2	V-0 TO TITLE BLK UCP 2004-2000 BW 9-20-04
C1	REVISED PER UCR2001-0709 SOMMER 01/05/29
C	REVISED PER UCR1999-0340 LENZ 98/11/24
B2	REVISED PER ECN# U71442 97/05/21 KBP
B1	REVISED PER ECR #U70915 MARANTO 97/02/06
B	REVISED PER ECR #U70564 MARANTO 97/01/15
A1	REVISED PRE ECN# U70029 96/07/12 KSM
A	REMOVE "X" PER ECN# U60363 95/09/18 MAB
I	X-RELEASE ECR U5 0548 GXC 95/01/09

DIMENSIONS SHOWN (METRIC) INCH		▽ = 0 ▼ = 0		REVISE ONLY ON CAD SYSTEM	
UNLESS OTHERWISE SPECIFIED TOLERANCES: ANGULAR ± 1/2°					
		INCH		METRIC	
3 PLACE	± .010	---		---	
2 PLACE	± .014	± 0.25		---	
1 PLACE	---	± 0.35		---	
DRAFT WHERE APPLICABLE MUST REMAIN WITHIN DIMENSIONS					
DRWG. BY: GXC	CHK'D. BY: KBP	PART NO. 444412006		DRWG. NO. SD-44441-2006	
APP'D. BY: RAS	SCALE: 3: 1	FILE NAME: S4444161.DGN	SHEET NO. 1 OF 1	DATE: 95/01/09	DATE: 95/01/09
THIS DRAWING CONTAINS INFORMATION THAT IS PROPRIETARY TO MOLEX INC. AND SHOULD NOT BE USED WITHOUT WRITTEN PERMISSION.					